

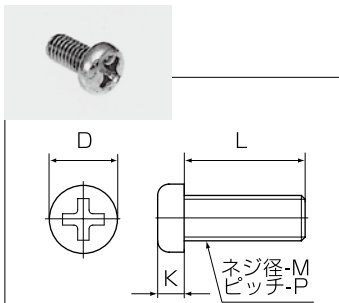
金属ネジ (鉄)

材質：鉄
 処理：ニッケルメッキ
 RoHS対応品

100ヶ (最低ロット)

FNB-Ni

十字穴付ナベコネジ

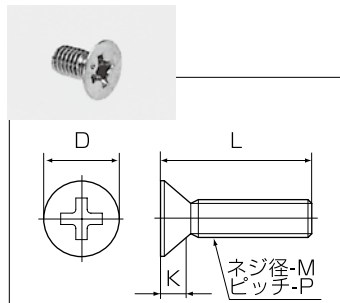


品番	L	M	D	K	P
FNB2-03-Ni	3				
FNB2-04-Ni	4				
FNB2-05-Ni	5				
FNB2-06-Ni	6	M2	3.5	1.3	0.4
FNB2-08-Ni	8				
FNB2-10-Ni	10				
FNB2-12-Ni	12				
FNB26-04-Ni	4				
FNB26-05-Ni	5				
FNB26-06-Ni	6				
FNB26-08-Ni	8				
FNB26-10-Ni	10	M2.6	4.5	1.7	0.45
FNB26-12-Ni	12				
FNB26-15-Ni	15				
FNB26-16-Ni	16				
FNB26-18-Ni	18				
FNB26-20-Ni	20				
FNB3-04-Ni	4				
FNB3-05-Ni	5				
FNB3-06-Ni	6				
FNB3-08-Ni	8				
FNB3-10-Ni	10				
FNB3-12-Ni	12				
FNB3-14-Ni	14	M3	5.5	2.0	0.5
FNB3-15-Ni	15				
FNB3-16-Ni	16				
FNB3-18-Ni	18				
FNB3-20-Ni	20				
FNB3-25-Ni	25				
FNB3-30-Ni	30				
FNB4-05-Ni	5				
FNB4-06-Ni	6				
FNB4-08-Ni	8				
FNB4-10-Ni	10				
FNB4-12-Ni	12	M4	7.0	2.6	0.7
FNB4-15-Ni	15				
FNB4-16-Ni	16				
FNB4-18-Ni	18				
FNB4-20-Ni	20				
FNB5-08-Ni	8				
FNB5-10-Ni	10				
FNB5-12-Ni	12				
FNB5-15-Ni	15	M5	9.0	3.3	0.8
FNB5-16-Ni	16				
FNB5-18-Ni	18				
FNB5-20-Ni	20				

100ヶ (最低ロット)

FSB-Ni

十字穴付サラコネジ

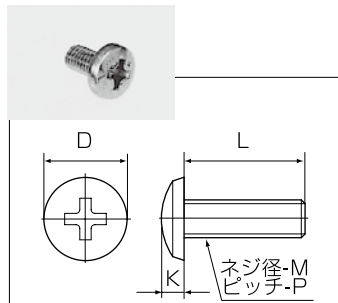


品番	L	M	D	K	P
FSB2-03-Ni	3				
FSB2-04-Ni	4				
FSB2-05-Ni	5				
FSB2-06-Ni	6	M2	4.0	1.2	0.4
FSB2-08-Ni	8				
FSB2-10-Ni	10				
FSB2-12-Ni	12				
FSB26-04-Ni	4				
FSB26-05-Ni	5				
FSB26-06-Ni	6				
FSB26-08-Ni	8				
FSB26-10-Ni	10	M2.6	5.2	1.5	0.45
FSB26-12-Ni	12				
FSB26-15-Ni	15				
FSB26-16-Ni	16				
FSB26-18-Ni	18				
FSB26-20-Ni	20				
FSB3-04-Ni	4				
FSB3-05-Ni	5				
FSB3-06-Ni	6				
FSB3-08-Ni	8				
FSB3-10-Ni	10				
FSB3-12-Ni	12				
FSB3-14-Ni	14	M3	6.0	1.75	0.5
FSB3-15-Ni	15				
FSB3-16-Ni	16				
FSB3-18-Ni	18				
FSB3-20-Ni	20				
FSB3-25-Ni	25				
FSB3-30-Ni	30				
FSB4-05-Ni	5				
FSB4-06-Ni	6				
FSB4-08-Ni	8				
FSB4-10-Ni	10				
FSB4-12-Ni	12	M4	8.0	2.3	0.7
FSB4-15-Ni	15				
FSB4-16-Ni	16				
FSB4-18-Ni	18				
FSB4-20-Ni	20				
FSB5-08-Ni	8				
FSB5-10-Ni	10				
FSB5-12-Ni	12				
FSB5-15-Ni	15	M5	10.0	2.8	0.8
FSB5-16-Ni	16				
FSB5-18-Ni	18				
FSB5-20-Ni	20				

100ヶ (最低ロット)

FBT-Ni

十字穴付バインドコネジ

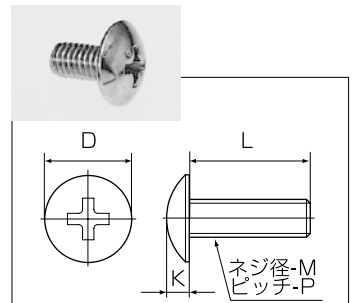


品番	L	M	D	K	P
FBT2-03-Ni	3				
FBT2-04-Ni	4				
FBT2-05-Ni	5				
FBT2-06-Ni	6	M2	4.3	1.2	0.4
FBT2-08-Ni	8				
FBT2-10-Ni	10				
FBT2-12-Ni	12				
FBT26-04-Ni	4				
FBT26-05-Ni	5				
FBT26-06-Ni	6				
FBT26-08-Ni	8				
FBT26-10-Ni	10	M2.6	5.5	1.6	0.45
FBT26-12-Ni	12				
FBT26-15-Ni	15				
FBT26-16-Ni	16				
FBT26-18-Ni	18				
FBT26-20-Ni	20				
FBT3-04-Ni	4				
FBT3-05-Ni	5				
FBT3-06-Ni	6				
FBT3-08-Ni	8				
FBT3-10-Ni	10				
FBT3-12-Ni	12				
FBT3-14-Ni	14	M3	6.3	1.9	0.5
FBT3-15-Ni	15				
FBT3-16-Ni	16				
FBT3-18-Ni	18				
FBT3-20-Ni	20				
FBT3-25-Ni	25				
FBT3-30-Ni	30				
FBT4-05-Ni	5				
FBT4-06-Ni	6				
FBT4-08-Ni	8				
FBT4-10-Ni	10				
FBT4-12-Ni	12	M4	8.3	2.5	0.7
FBT4-15-Ni	15				
FBT4-16-Ni	16				
FBT4-18-Ni	18				
FBT4-20-Ni	20				
FBT5-08-Ni	8				
FBT5-10-Ni	10				
FBT5-12-Ni	12				
FBT5-15-Ni	15	M5	10.3	3.1	0.8
FBT5-16-Ni	16				
FBT5-18-Ni	18				
FBT5-20-Ni	20				

100ヶ (最低ロット)

FTT-Ni

十字穴付トラスコネジ



品番	L	M	D	K	P
FTT2-03-Ni	3				
FTT2-04-Ni	4				
FTT2-05-Ni	5				
FTT2-06-Ni	6	M2	4.5	1.2	0.4
FTT2-08-Ni	8				
FTT2-10-Ni	10				
FTT2-12-Ni	12				
FTT26-04-Ni	4				
FTT26-05-Ni	5				
FTT26-06-Ni	6				
FTT26-08-Ni	8				
FTT26-10-Ni	10	M2.6	5.9	1.6	0.45
FTT26-12-Ni	12				
FTT26-15-Ni	15				
FTT26-16-Ni	16				
FTT26-18-Ni	18				
FTT26-20-Ni	20				
FTT3-04-Ni	4				
FTT3-05-Ni	5				
FTT3-06-Ni	6				
FTT3-08-Ni	8				
FTT3-10-Ni	10				
FTT3-12-Ni	12				
FTT3-14-Ni	14	M3	6.9	1.9	0.5
FTT3-15-Ni	15				
FTT3-16-Ni	16				
FTT3-18-Ni	18				
FTT3-20-Ni	20				
FTT3-25-Ni	25				
FTT3-30-Ni	30				
FTT4-05-Ni	5				
FTT4-06-Ni	6				
FTT4-08-Ni	8				
FTT4-10-Ni	10				
FTT4-12-Ni	12	M4	9.4	2.5	0.7
FTT4-15-Ni	15				
FTT4-16-Ni	16				
FTT4-18-Ni	18				
FTT4-20-Ni	20				
FTT5-08-Ni	8				
FTT5-10-Ni	10				
FTT5-12-Ni	12				
FTT5-15-Ni	15	M5	11.8	3.1	0.8
FTT5-16-Ni	16				
FTT5-18-Ni	18				
FTT5-20-Ni	20				