

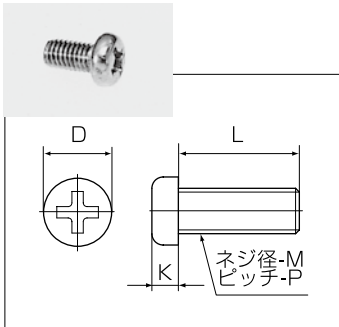
# 金属ネジ (ステンレス)

材質：ステンレス  
処理：生地  
RoHS対応品

100ヶ (最低ロット)

## UNB

十字穴付ナベコネジ

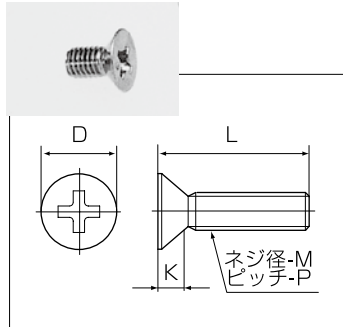


品番	L	M	D	K	P
UNB2-03	3				
UNB2-04	4				
UNB2-05	5				
UNB2-06	6	M2	3.5	1.3	0.4
UNB2-08	8				
UNB2-10	10				
UNB2-12	12				
UNB26-04	45				
UNB26-05	5				
UNB26-06	6				
UNB26-08	8				
UNB26-10	10	M2.6	4.5	1.7	0.45
UNB26-12	12				
UNB26-15	15				
UNB26-16	16				
UNB26-18	18				
UNB26-20	20				
UNB3-04	4				
UNB3-05	5				
UNB3-06	6				
UNB3-08	8				
UNB3-10	10				
UNB3-12	12				
UNB3-14	14	M3	5.5	2.0	0.5
UNB3-15	15				
UNB3-16	16				
UNB3-18	18				
UNB3-20	20				
UNB3-25	25				
UNB3-30	30				
UNB4-05	5				
UNB4-06	6				
UNB4-08	8				
UNB4-10	10				
UNB4-12	12	M4	7.0	2.6	0.7
UNB4-15	15				
UNB4-16	16				
UNB4-18	18				
UNB4-20	20				
UNB5-08	8				
UNB5-10	10				
UNB5-12	12				
UNB5-15	15	M5	9.0	3.3	0.8
UNB5-16	16				
UNB5-18	18				
UNB5-20	20				

100ヶ (最低ロット)

## USB

十字穴付サラコネジ

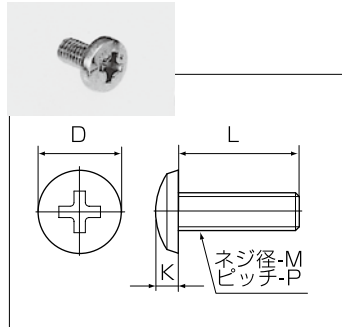


品番	L	M	D	K	P
USB2-03	3				
USB2-04	4				
USB2-05	5				
USB2-06	6	M2	4.0	1.2	0.4
USB2-08	8				
USB2-10	10				
USB2-12	12				
USB26-04	45				
USB26-05	5				
USB26-06	6				
USB26-08	8				
USB26-10	10	M2.6	5.2	1.5	0.45
USB26-12	12				
USB26-15	15				
USB26-16	16				
USB26-18	18				
USB26-20	20				
USB3-04	4				
USB3-05	5				
USB3-06	6				
USB3-08	8				
USB3-10	10				
USB3-12	12				
USB3-14	14	M3	6.0	1.75	0.5
USB3-15	15				
USB3-16	16				
USB3-18	18				
USB3-20	20				
USB3-25	25				
USB3-30	30				
USB4-05	5				
USB4-06	6				
USB4-08	8				
USB4-10	10				
USB4-12	12	M4	8.0	2.3	0.7
USB4-15	15				
USB4-16	16				
USB4-18	18				
USB4-20	20				
USB5-08	8				
USB5-10	10				
USB5-12	12				
USB5-15	15	M5	10.0	2.8	0.8
USB5-16	16				
USB5-18	18				
USB5-20	20				

100ヶ (最低ロット)

## UBT

十字穴付バインドコネジ

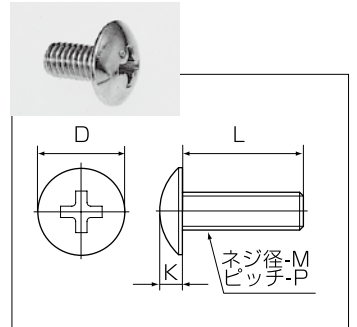


品番	L	M	D	K	P
UBT2-03	3				
UBT2-04	4				
UBT2-05	5				
UBT2-06	6	M2	4.3	1.2	0.4
UBT2-08	8				
UBT2-10	10				
UBT2-12	12				
UBT26-04	45				
UBT26-05	5				
UBT26-06	6				
UBT26-08	8				
UBT26-10	10	M2.6	5.5	1.6	0.45
UBT26-12	12				
UBT26-15	15				
UBT26-16	16				
UBT26-18	18				
UBT26-20	20				
UBT3-04	4				
UBT3-05	5				
UBT3-06	6				
UBT3-08	8				
UBT3-10	10				
UBT3-12	12				
UBT3-14	14	M3	6.3	1.9	0.5
UBT3-15	15				
UBT3-16	16				
UBT3-18	18				
UBT3-20	20				
UBT3-25	25				
UBT3-30	30				
UBT4-05	5				
UBT4-06	6				
UBT4-08	8				
UBT4-10	10				
UBT4-12	12	M4	8.3	2.5	0.7
UBT4-15	15				
UBT4-16	16				
UBT4-18	18				
UBT4-20	20				
UBT5-08	8				
UBT5-10	10				
UBT5-12	12				
UBT5-15	15	M5	10.3	3.1	0.8
UBT5-16	16				
UBT5-18	18				
UBT5-20	20				

100ヶ (最低ロット)

## UTT

十字穴付トラスコネジ



品番	L	M	D	K	P
UTT2-03	3				
UTT2-04	4				
UTT2-05	5				
UTT2-06	6	M2	4.5	1.2	0.4
UTT2-08	8				
UTT2-10	10				
UTT2-12	12				
UTT26-04	45				
UTT26-05	5				
UTT26-06	6				
UTT26-08	8				
UTT26-10	10	M2.6	5.9	1.6	0.45
UTT26-12	12				
UTT26-15	15				
UTT26-18	18				
UTT26-20	20				
UTT3-04	4				
UTT3-05	5				
UTT3-06	6				
UTT3-08	8				
UTT3-10	10				
UTT3-12	12				
UTT3-14	14	M3	6.9	1.9	0.5
UTT3-15	15				
UTT3-16	16				
UTT3-18	18				
UTT3-20	20				
UTT3-25	25				
UTT3-30	30				
UTT4-05	5				
UTT4-06	6				
UTT4-08	8				
UTT4-10	10				
UTT4-12	12	M4	9.4	2.5	0.7
UTT4-15	15				
UTT4-16	16				
UTT4-18	18				
UTT4-20	20				
UTT5-08	8				
UTT5-10	10				
UTT5-12	12				
UTT5-15	15	M5	11.8	3.1	0.8
UTT5-16	16				
UTT5-18	18				
UTT5-20	20				