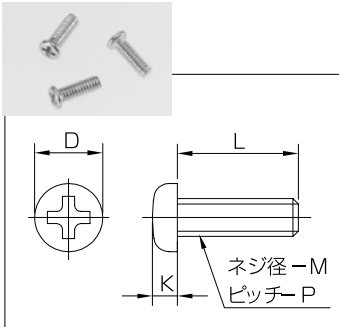


# マイクロネジ (ステンレス)

材質 : ステンレス  
 処理 : 生地  
 RoHS対応品

## MUN1

0番1種+ナベコネジ

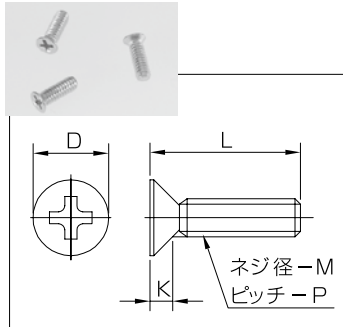


品番	L	M	D	K	P
MUN110-2	2				
MUN110-3	3				
MUN110-4	4	M1	1.8	0.5	0.25
MUN110-5	5				
MUN112-2	2				
MUN112-3	3	M1.2	1.8	0.5	0.25
MUN112-4	4				
MUN112-5	5				
MUN114-2	2				
MUN114-3	3				
MUN114-4	4	M1.4	2.0	0.5	0.3
MUN114-5	5				
MUN114-6	6				
MUN114-8	8				
MUN114-10	10				
MUN116-2	2				
MUN116-3	3				
MUN116-4	4				
MUN116-5	5				
MUN116-6	6	M1.6	2.3	0.5	0.35
MUN116-7	7				
MUN116-8	8				
MUN116-10	10				
MUN116-12	12				
MUN117-2	2				
MUN117-3	3				
MUN117-4	4				
MUN117-5	5				
MUN117-6	6	M1.7	2.5	0.5	0.35
MUN117-7	7				
MUN117-8	8				
MUN117-10	10				
MUN117-12	12				
MUN120-2	2				
MUN120-3	3				
MUN120-4	4				
MUN120-5	5				
MUN120-6	6	M2	3.0	0.6	0.4
MUN120-7	7				
MUN120-8	8				
MUN120-10	10				
MUN120-12	12				
MUN126-3	3				
MUN126-4	4				
MUN126-5	5	M2.6	4.0	0.8	0.45
MUN126-6	6				
MUN126-7	7				
MUN126-8	8				

100ヶ (最低ロット)

## MUS1

0番1種+サラコネジ

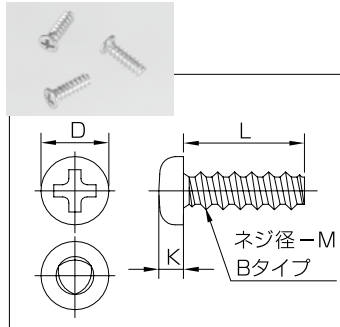


品番	L	M	D	K	P
MUS114-3	3				
MUS114-4	4				
MUS114-5	5	M1.4	2.0	0.45	0.3
MUS114-6	6				
MUS114-8	8				
MUS116-3	3				
MUS116-4	4	M1.6	2.3	0.5	0.35
MUS117-3	3				
MUS117-4	4				
MUS117-5	5				
MUS117-6	6	M1.7	2.5	0.5	0.35
MUS117-7	7				
MUS117-8	8				
MUS117-10	10				
MUS117-12	12				
MUS120-3	3				
MUS120-4	4				
MUS120-5	5				
MUS120-6	6	M2	3.0	0.6	0.4
MUS120-7	7				
MUS120-8	8				
MUS120-10	10				
MUS126-3	3				
MUS126-4	4				
MUS126-5	5	M2.6	4.0	0.8	0.45
MUS126-6	6				
MUS126-7	7				
MUS126-8	8				

100ヶ (最低ロット)

## MUN1B

0番1種Bタイプ+ナベ

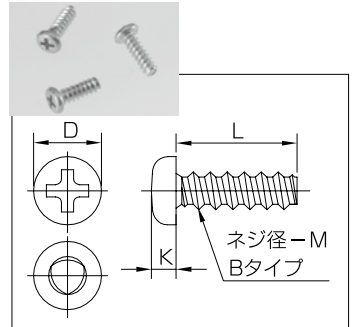


品番	L	M	D	K	P
MUN1B14-3	3				
MUN1B14-4	4				
MUN1B14-5	5	M1.4	2.0	0.5	0.45
MUN1B14-6	6				
MUN1B17-3	3				
MUN1B17-4	4	M1.7	2.5	0.5	0.5
MUN1B17-5	5				
MUN1B17-6	6				
MUN1B20-3	3				
MUN1B20-4	4				
MUN1B20-5	5	M2	3.0	0.6	0.6
MUN1B20-6	6				
MUN1B20-7	7				

100ヶ (最低ロット)

## MUN3B

0番3種Bタイプ+ナベ

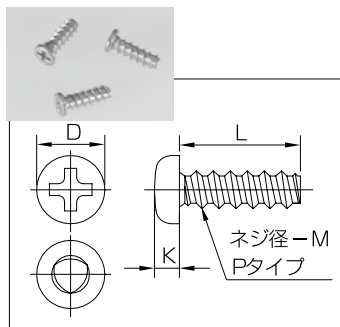


品番	L	M	D	K	P
MUN3B14-3	3				
MUN3B14-4	4				
MUN3B14-5	5	M1.4	2.5	0.8	0.45
MUN3B14-6	6				
MUN3B17-3	3				
MUN3B17-4	4	M1.7	3.0	0.9	0.5
MUN3B17-5	5				
MUN3B17-6	6				
MUN3B20-3	3				
MUN3B20-4	4				
MUN3B20-5	5	M2	3.5	1.0	0.6
MUN3B20-6	6				
MUN3B20-7	7				

100ヶ (最低ロット)

## MUN1P

0番1種Pタイプ+ナベ

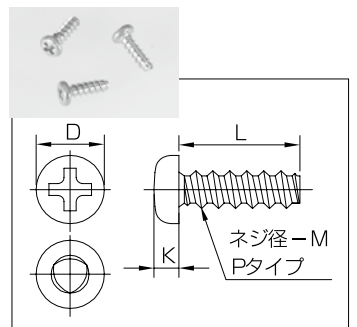


品番	L	M	D	K	P
MUN1P17-3	3				
MUN1P17-4	4				
MUN1P17-5	5	M1.7	2.5	0.5	0.64
MUN1P17-6	6				
MUN1P20-3	3				
MUN1P20-4	4				
MUN1P20-5	5	M2	3.0	0.6	0.79
MUN1P20-6	6				
MUN1P20-7	7				
MUN1P26-6	6	M2.6	4.0	0.8	

100ヶ (最低ロット)

## MUN3P

0番3種Pタイプ+ナベ



品番	L	M	D	K	P
MUN3P17-3	3				
MUN3P17-4	4				
MUN3P17-5	5	M1.7	3.0	0.9	0.64
MUN3P17-6	6				
MUN3P20-3	3				
MUN3P20-4	4				
MUN3P20-5	5	M2	3.5	1.0	0.79
MUN3P20-6	6				
MUN3P20-7	7				

100ヶ (最低ロット)